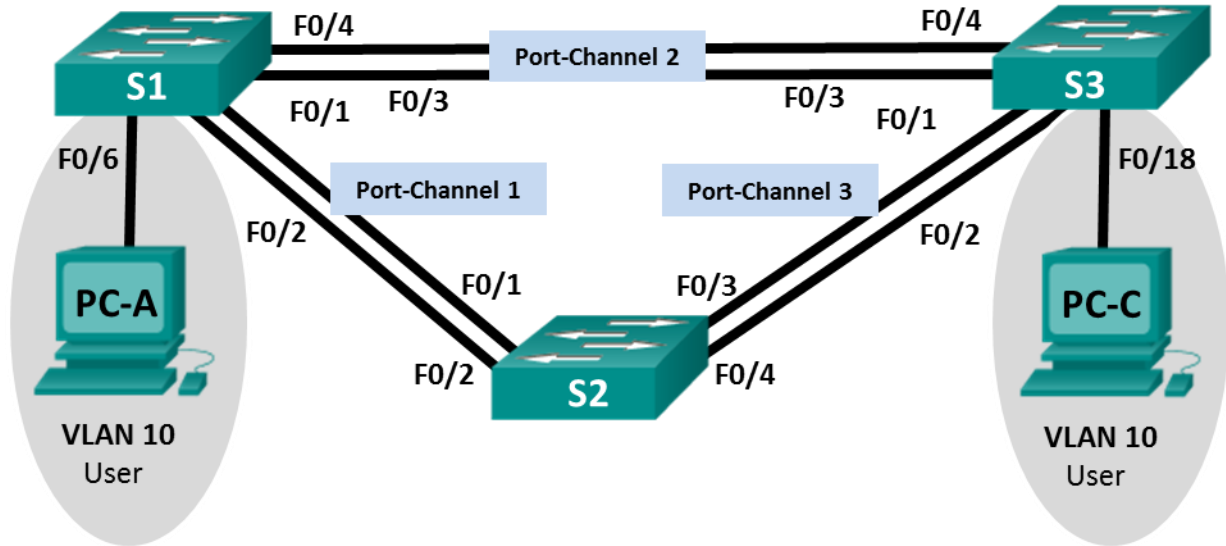


Lab – Troubleshooting EtherChannel

Topology



Addressing Table

Device	Interface	IP Address	Subnet Mask
S1	VLAN 99	192.168.1.11	255.255.255.0
S2	VLAN 99	192.168.1.12	255.255.255.0
S3	VLAN 99	192.168.1.13	255.255.255.0
PC-A	NIC	192.168.0.2	255.255.255.0
PC-C	NIC	192.168.0.3	255.255.255.0

VLAN Assignments

VLAN	Name
10	User
99	Management

Objectives

Part 1: Build the Network and Load Device Configurations

Part 2: Troubleshoot EtherChannel

Background / Scenario

The switches at your company were configured by an inexperienced network administrator. Several errors in the configuration have resulted in speed and connectivity issues. Your manager has asked you to

Lab – Troubleshooting EtherChannel

troubleshoot and correct the configuration errors and document your work. Using your knowledge of EtherChannel and standard testing methods, find and correct the errors. Ensure that all of the EtherChannels use Port Aggregation Protocol (PAgP), and that all hosts are reachable.

Note: The switches used are Cisco Catalyst 2960s with Cisco IOS Release 15.0(2) (lanbasek9 image). Other switches and Cisco IOS versions can be used. Depending on the model and Cisco IOS version, the commands available and output produced might vary from what is shown in the labs.

Note: Make sure that the switches have been erased and have no startup configurations. If you are unsure, contact your instructor.

Required Resources

- 3 Switches (Cisco 2960 with Cisco IOS Release 15.0(2) lanbasek9 image or comparable)
- 2 PCs (Windows 7, Vista, or XP with a terminal emulation program, such as Tera Term)
- Console cables to configure the Cisco IOS devices via the console ports
- Ethernet cables as shown in the topology

Part 1: Build the Network and Load Device Configurations

In Part 1, you will set up the network topology, configure basic settings on the PC hosts, and load configurations on the switches.

Step 1: Cable the network as shown in the topology.

Step 2: Configure the PC hosts.

Step 3: Erase the startup and VLAN configurations and reload the switches.

Step 4: Load switch configurations.

Load the following configurations into the appropriate switch. All switches have the same passwords. The privileged EXEC password is **class**. The password for console and vty access is **cisco**. As all switches are Cisco devices, the network administrator decided to use Cisco's PAgP on all port channels configured with EtherChannel. Switch S2 is the root bridge for all VLANs in the topology.

Switch S1 Configuration:

```
hostname S1
interface range f0/1-24, g0/1-2
shutdown
exit
enable secret class
no ip domain lookup
line vty 0 15
password cisco
login
line con 0
password cisco
logging synchronous
login
exit
```

Lab – Troubleshooting EtherChannel

```
vlan 10
  name User
vlan 99
  Name Management
interface range f0/1-2
  switchport mode trunk
  channel-group 1 mode active
  switchport trunk native vlan 99
  no shutdown
interface range f0/3-4
  channel-group 2 mode desirable
  switchport trunk native vlan 99
  no shutdown
interface f0/6
  switchport mode access
  switchport access vlan 10
  no shutdown
interface vlan 99
  ip address 192.168.1.11 255.255.255.0
interface port-channel 1
  switchport trunk native vlan 99
  switchport mode trunk
interface port-channel 2
  switchport trunk native vlan 99
  switchport mode access
```

Switch S2 Configuration:

```
hostname S2
interface range f0/1-24, g0/1-2
  shutdown
  exit
enable secret class
no ip domain lookup
line vty 0 15
  password cisco
  login
line con 0
  password cisco
  logging synchronous
  login
  exit
vlan 10
  name User
vlan 99
  name Management
spanning-tree vlan 1,10,99 root primary
```

Lab – Troubleshooting EtherChannel

```
interface range f0/1-2
  switchport mode trunk
  channel-group 1 mode desirable
  switchport trunk native vlan 99
  no shutdown
interface range f0/3-4
  switchport mode trunk
  channel-group 3 mode desirable
  switchport trunk native vlan 99
interface vlan 99
  ip address 192.168.1.12 255.255.255.0
interface port-channel 1
  switchport trunk native vlan 99
  switchport trunk allowed vlan 1,99
interface port-channel 3
  switchport trunk native vlan 99
  switchport trunk allowed vlan 1,10,99
  switchport mode trunk
```

Switch S3 Configuration:

```
hostname S3
interface range f0/1-24, g0/1-2
  shutdown
  exit
enable secret class
no ip domain lookup
line vty 0 15
  password cisco
  login
line con 0
  password cisco
  logging synchronous
  login
  exit
vlan 10
  name User
vlan 99
  name Management
interface range f0/1-2
interface range f0/3-4
  switchport mode trunk
  channel-group 3 mode desirable
  switchport trunk native vlan 99
  no shutdown
interface f0/18
  switchport mode access
```

```
switchport access vlan 10
no shutdown
interface vlan 99
ip address 192.168.1.13 255.255.255.0
interface port-channel 3
switchport trunk native vlan 99
switchport mode trunk
```

Step 5: Save your configuration.

Part 2: Troubleshoot EtherChannel

In Part 2, you must examine the configurations on all switches, make corrections if needed, and verify full functionality.

Step 1: Troubleshoot S1.

- a. Use the **show interfaces trunk** command to verify that the port channels are functioning as trunk ports. Do port channels 1 and 2 appear as trunked ports?
- b. Use the **show etherchannel summary** command to verify that interfaces are configured in the correct port channel, the proper protocol is configured, and the interfaces are in use. Based on the output, are there any EtherChannel issues? If issues are found, record them in the space provided below.

- c. Use the command **show run | begin interface Port-channel** command to view the running configuration beginning with the first port channel interface.
- d. Resolve all problems found in the outputs from the previous **show** commands. Record the commands used to correct the configurations.

- e. Use the **show interfaces trunk** command to verify trunk settings.
- f. Use the **show etherchannel summary** command to verify that the port channels are up and in use.

Step 2: Troubleshoot S2.

- a. Issue the command to verify that the port channels are functioning as trunk ports. Record the command used in the space provided below.

Lab – Troubleshooting EtherChannel

Based on the output, are there any issues with the configurations? If issues are found, record them in the space provided below.

- b. Issue the command to verify that interfaces are configured in the correct port channel and the proper protocol is configured.

Based on the output, are there any EtherChannel issues? If issues are found, record them in the space provided below.

- c. Use the command **show run | begin interface Port-channel** to view the running configuration beginning with the first port-channel interface.
- d. Resolve all problems found in the outputs from the previous **show** commands. Record the commands used to correct the configuration.

- e. Issue the command to verify trunk settings.

- f. Issue the command to verify that the port channels are functioning. Remember that port channel issues can be caused by either end of the link.

Step 3: Troubleshoot S3.

- a. Issue the command to verify that the port channels are functioning as trunk ports.

Based on the output, are there any issues with the configurations? If issues are found, record them in the space provided below.

- b. Issue the command to verify that the interfaces are configured in the correct port channel and that the proper protocol is configured.

Based on the output, are there any EtherChannel issues? If issues are found, record them in the space provided below.

- c. Use the command **show run | begin interface Port-channel** command to view the running configuration beginning with the first port channel interface.

- d. Resolve all problems found. Record the commands used to correct the configuration.

- e. Issue the command to verify trunk settings. Record the command used in the space provided below.

- f. Issue the command to verify that the port channels are functioning. Record the command used in the space provided below.

Step 4: Verify EtherChannel and Connectivity.

- a. Use the **show interfaces etherchannel** command to verify full functionality of the port channels.
- b. Verify connectivity of the management VLAN.
 - Can S1 ping S2?
 - Can S1 ping S3?
 - Can S2 ping S3?
- c. Verify connectivity of PCs.
 - Can PC-A ping PC-C?

If EtherChannels are not fully functional, connectivity between switches does not exist, or connectivity between hosts does not exist. Troubleshoot to resolve any remaining issues.

Note: It may be necessary to disable the PC firewall for pings between the PCs to succeed.